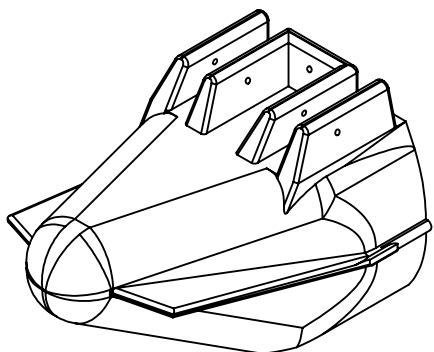
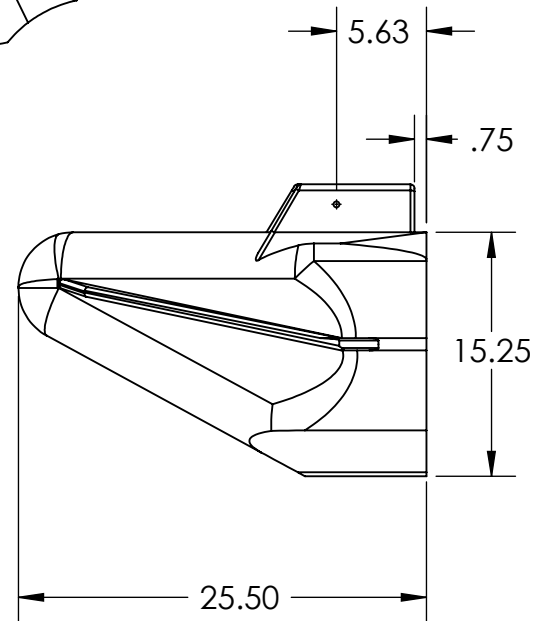
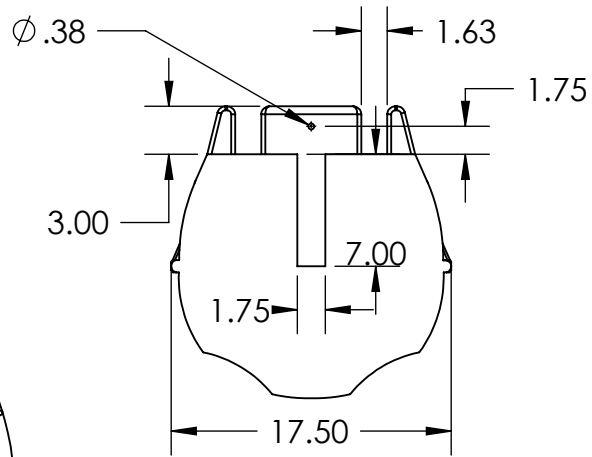
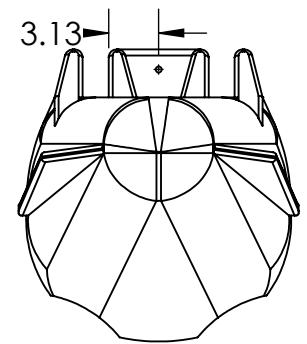


17" gw pontoon nose
 part # black: 03-45460
 blue: 03-45464

part weight: 10 lb.s
 foam weight: 3 lb.s
 shipping weight 13 lb.s

floatation at max capacity: 97 lb.s

Note: Unless otherwise noted on this or other documents typical tolerances are +/- 0.05" per inch of linear length.



PROPRIETARY AND CONFIDENTIAL
 THE INFORMATION CONTAINED IN THIS DRAWING IS THE SOLE PROPERTY OF ROTONICS MFG. INC. ANY REPRODUCTION IN PART OR AS A WHOLE WITHOUT THE WRITTEN PERMISSION OF ROTONICS MFG. INC. IS PROHIBITED.

		UNLESS OTHERWISE SPECIFIED:	NAME	DATE	TITLE: 17" gw pontoon nose black: part # 03-45460 blue: part # o3-45464		
		DIMENSIONS ARE IN INCHES	DRAWN				
		TOLERANCES:	CHECKED				
		FRACTIONAL ±	ENG APPR.				
		ANGULAR: MACH ± BEND ±	MFG APPR.				
		TWO PLACE DECIMAL ±	Q.A.		SIZE	DWG. NO.	REV
		THREE PLACE DECIMAL ±	COMMENTS:		A	kg70913	1
NEXT ASSY	USED ON	INTERPRET GEOMETRIC TOLERANCING PER:			SCALE: 1:12	SHEET 1 OF 1	
APPLICATION		MATERIAL					
		FINISH					
		DO NOT SCALE DRAWING					